
SCHÜCO AWS TERRACE DOORS

WITH ADA THRESHOLD



SCHÜCO

SCHÜCO AWS TERRACE DOORS



Schüco AWS Terrace Door

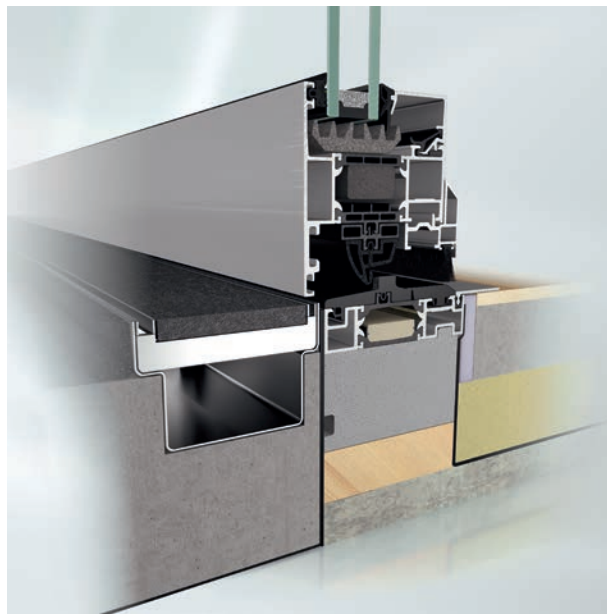
Outward-opening terrace door

The Schüco AWS 70.HI and the Schüco AWS 75.SI+ outward opening terrace doors offer an easy-access threshold option which meets ADA ½" (13 mm) threshold height limitation while maintaining a 15 psf water resistance test performance.

Both series are available in a single vent and double-vent option. Using the Group V vent profile increases the maximum overall size to 4' x 8'-4" (1200 mm x 2500 mm) and the maximum weight to 286 lb (130 kg), with a 90° opening. Oversized options to be evaluated on a per project basis.

In addition to providing a high thermal performance terrace door, these systems allow insulated glass units of 2-¼" (57 mm) thick, thus meeting today's rigorous energy saving demands. By recessing the threshold 13/16" (20 mm) into the floor, a smooth and easy ADA compliant access to the exterior is provided.

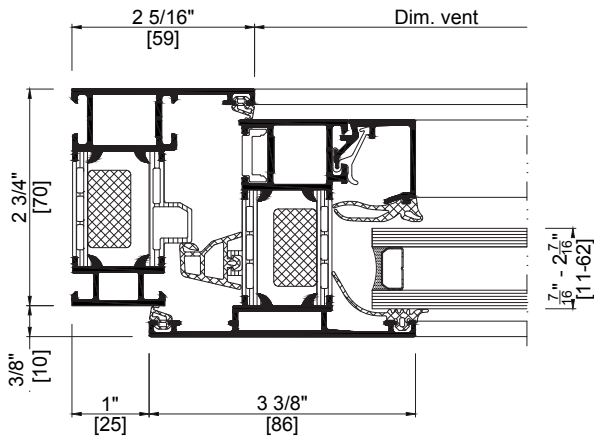
The AWS 75.SI+ single terrace door has also been tested and approved to assure it meets standards and regulations for the hurricane market.



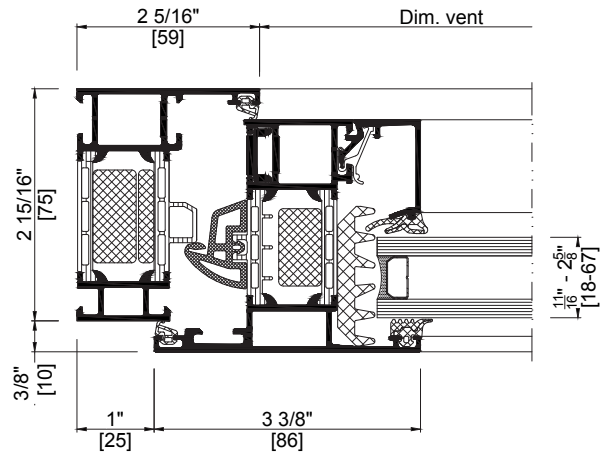
Schüco AWS 75.SI+ Terrace Door with ADA threshold

PRODUCT BENEFITS

- Varied system range for high-quality living and working
- Enhanced planning options with ADA Threshold
- High level of water tightness
- State-of-the-art technology for easy-access operation of units
- Single and double vent options
- Profile design enables dual color option on interior and exterior
- Dorma door closer with slide rail, cushioned stop and hold-open available from Schüco



Horizontal section detail of Schüco AWS 70.HI Terrace Door



Horizontal section detail of Schüco AWS 75.SI+ Terrace Door

| TECHNICAL DATA | SINGLE | DOUBLE |
|------------------|---------------------------------|---------------------------------|
| Dimensions | 4' x 8'4" (1200 mm x 2500 mm) | 6'-6" x 8' (2000 mm x 2400 mm) |
| Max. Weight | Up to 287 lb | Up to 287 lb |
| AAMA Rating | AW-PG 70 | AW-PG 60 |
| Water Tightness | 15 psf | 15 psf |
| Design Pressure | +/-70 psf | +/-60 psf |
| Glass Thickness | 2-1/4" (57 mm) | 2-1/4" (57 mm) |
| Hardware | Exposed barrel hinge | Exposed barrel hinge |
| Accessories | Dorma door closer | Dorma door closer |
| Thermal Example* | 0.23 Btu/hr-ft ² -°F | 0.23 Btu/hr-ft ² -°F |

*Information based on NFRC standard test size, IGU U-Value 0.10

Are you planning a building project using Schüco systems or would like to in the future? **Contact us.**

Schüco develops and sells system solutions for windows, sliding doors and facades. In addition to innovative products for residential and commercial buildings, the building envelope specialist offers consultation and digital solutions for all phases of a building project – from the conceptual idea through final design onto fabrication and installation. Machinery for fabrication and a 360° cycle of sustainability complement the range of products and services.

With more than 5,400 employees worldwide, Schüco strives to be the industry leader in terms of technology and service today and in the future. To this end, the company is always developing and testing new products and services for the entire building envelope, taking into account current market trends and standards. 12,000 architects, investors, developer, fabricators and glazing contractors around the world work together with Schüco. The company is active in more than 80 countries and achieved a turnover of 1.88 billion USD in 2018.

Schüco USA LLLP

240 Pane Road
Newington, CT 06111
Email: info@schuco-usa.com
Phone: +1 860.666.0505

www.schuco-usa.com

